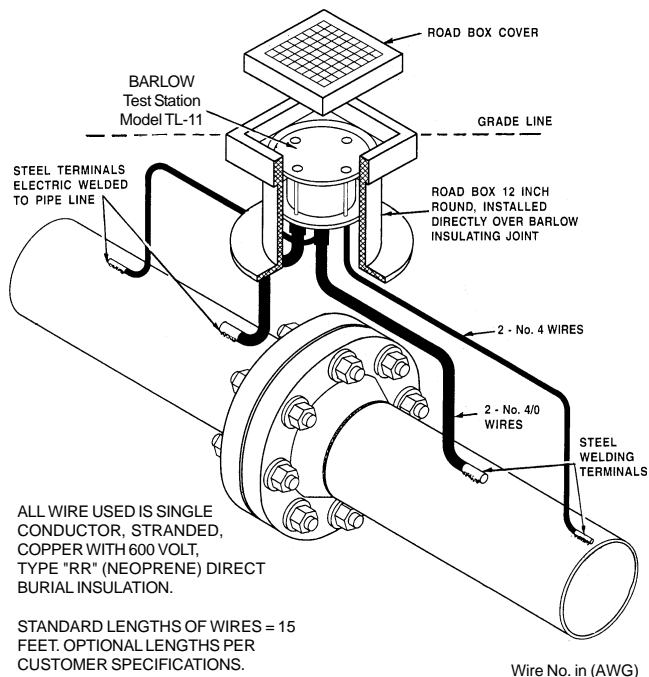
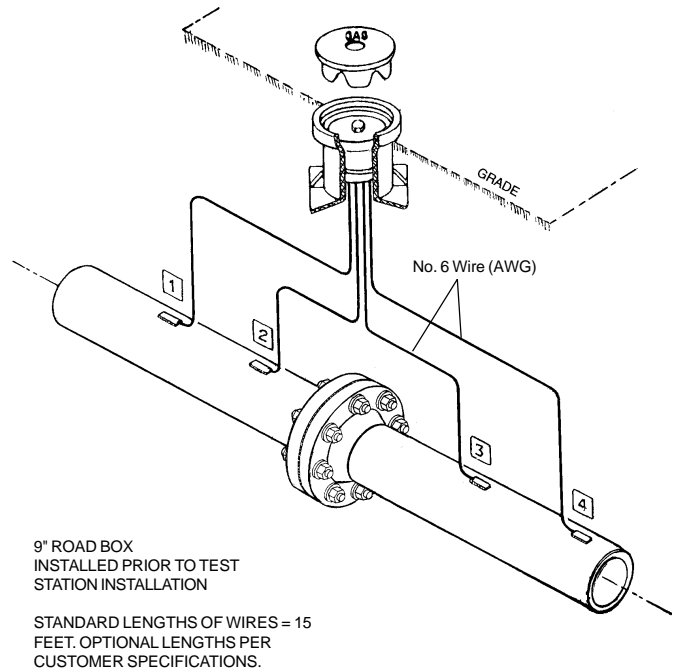


# IMAC *BARLOW ACCESSORIES*

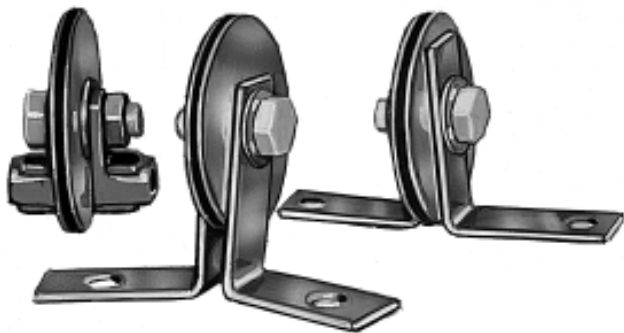
## BARLOW HOUSING BOX - Model TL-11X (Below Ground Installation)



## TESTATION® - INSULATING JOINT (Type "AA" Test Box)



## BARLOW "TMK" SURGE ARRESTORS Curb The Electrical Breakdown of Insulated Flanges



1. Non-linear voltage current characteristics; limits potentially destructive voltage levels but does not interfere with cathodic protection.
2. Nominal values - 50 ohms at 250 volts - 30,000 ohms at 3 volts.
3. Self-healing; able to survive multiple strikes.
4. Your choice of wire size connections.
5. Designed for above or below ground installation.
6. Fiber-glass housings available for above ground installation.
7. Priced competitively with fusible or sacrificial voltage relief devices.

Consult Factory for Details

## TMKE FIBERGLASS SURGE ARRESTOR ENCLOSURES



### STANDARD SIZES Enclosure Inside Dimensions

Length x Height x Width

6" x 4 x 4 <sup>15/16</sup>

8" x 6 x 5 <sup>3/16</sup>

10" x 6 x 5 <sup>11/16</sup>

12" x 8 x 6 <sup>11/16</sup>

1. Ideal housing for Barlow "TMK" Surge Arrestors, Lightning Arrestors, terminal wiring boxes and electrical control enclosures in highly corrosive atmospheres.
2. These enclosures are molded from a special polyester resin material which has excellent resistance and outstanding physical properties. The hinged cover is easily removable, and is attached to the body with internal hinges. Each cover has a neoprene gasket attached with oil-resistant adhesive. Cover screws are monel. All enclosures have a grey finish inside and out.
3. Drill holes, cut outs, floor flanges can be supplied at an extra charge.
4. These enclosures conform to the NEMA 4 standards for: dusttight, raintight, sleet-ice-resistant, rain-proof, water-tight, oil-tight and corrosion-resistant.



Systems Inc.

International Measurement and Control Systems

**Liberty Sales & Distribution, LLC**

2880 Bergey Road, Suite F, Hatfield, PA 19440

Phone: (877) 373-0118 Fax: (888) 850-3787

Email: [sales@libertysales.net](mailto:sales@libertysales.net) Web: [www.libertysales.net](http://www.libertysales.net)