



## FIREBAG®

### Technical Manual



Page

2 PRODUCT DESCRIPTION

3 SINGLE & MULTI-METER APPLICATIONS

DIMENSIONS & FLOW DATA

Flow Direction

Sizes

Drawing Number

4 MxF 1/2" x 3/4", 3/4", 1" MCT1029

6 FxM 3/4", 1" MCT1030

8 FxF 1/2", 3/4", 1" MCT1016

10 MxM 3/4", 1" MCT1031

12 MxF 1 1/4", 1 1/2", 2" MCT1025

14 FxM 1 1/4", 1 1/2", 2" MCT1027

16 FxF 1 1/4", 1 1/2", 2" MCT1028

18 MxM 1 1/4", 1 1/2", 2" MCT1026

20 MxF 1/2" x 3/4" Kits OEAS0001

21 MxF 3/4" Kits OEAS0002

22 MxF 1" Kits OEAS0006

23 CAD DRAWINGS

**Teco Americas, LLC**

263 Cox Street, Roselle, NJ 07203

sales@tecoamericas.com

908-488-0909

https://tecoamericas.com

# FireBag®

## Thermal-activated Shut-off Device for Propane, Natural & Butane Gas



*Used for Natural Gas and Propane Gas in metering applications, as well as residential and commercial applications*



1 1/4", 1 1/2", and 2" units have an external heat sensor

The FireBag® automatically shuts off gas supply in the event of fire, preventing explosions and the spreading of fire.

When the ambient temperature reaches 203°F to 212°F (95°C to 100°C) the metal alloy that keeps plug and cartridge together melts and the spring pressure pushes the plug against the gas opening to close it completely. The FireBag® closes within 60 seconds, per DIN 3586. No fire or heat detectors are required to automatically stop gas flow.

### CERTIFICATIONS

- Meets and exceeds DIN 3586 thermo activated safety device for gas applications
- European UNI EN 1775 Standard for indoor gas installations
- European Directive 90/396/CEE certification for durability in mechanical or thermal stress
- German DVGW TRGI 86/96 Standard for thermo activated locking systems on gas heaters, water heaters & domestic gas fittings
- German Standard Muster-Feuerverordnung (FeuVo v. 02/95 - edition 09/97) for thermo activated devices
- Italian UNI 7129 Ed 2001 Standard for fire protection and gas supply line components
- Independent testing by GTI certifies the FireBag® meets or exceeds requirements per Massachusetts D.P.U. MGL Section 75A of Chapter 164, Ruling #14899 (March 1974) Section 8 (c) and (d).

**MAXIMUM PRESSURE**  
100 PSI (NPT)

**AMBIENT TEMPERATURE RANGE**  
-4°F + 176°F (-20°C to 80°C)

**MATERIALS OF CONSTRUCTION**  
Housing and Finishing:  
Zinc-plated steel

**SPECIFICATIONS\***  
**Actuation Temperature:**  
203°F to 212°F (95°C to 100°C)

**Heat Resistance:**  
**1/2", 3/4", 1" sizes:**  
1,697°F (925°C) for 60 minutes at 100 PSI (NPT);

**1 1/4", 1 1/2", 2" sizes:**  
1,202°F (650°C) for 30 minutes at 100 PSI (NPT)

\*Certified to DIN 3586

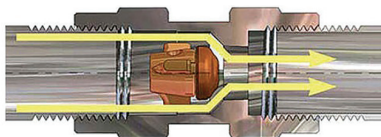
### Cv FACTORS

SIZE	CV
1/2"	3.7
3/4"	6.7
1"	10.3
1 1/4"	25.7
1 1/2"	42.7
2"	66.7

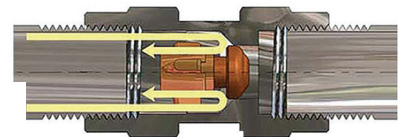
### CROSS SECTIONS

The FireBag® is triggered when the ambient temperature reaches 212°F, blocking the flow of gas for at least 60 minutes at the temperature of 1,697°F.

Inactive, temperature below 203°F



Active, temperature above 212°F



# FireBag®

## Single Residential & Commercial Metering Applications

FireBag® Thermal Activated Shutoffs are available in multiple piping configurations and sizes to accommodate the varying piping requirements of a natural gas or propane system. A recommended FireBag® piping orientation and design illustration is highlighted as follows or simply contact your local FireBag® distributor for additional information and specifications:

### A — Upstream of the Regulator

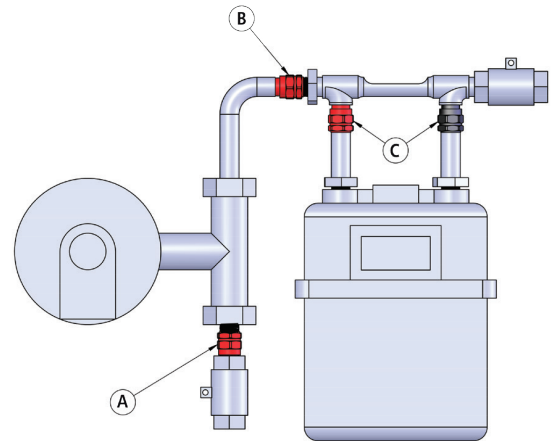
Installed prior to the regulator, Male x Female FireBag® configurations are available in  $\frac{3}{4}$ " – 2" NPT sizes.

### B — Upstream of the Meter Bar

For installations after the regulator and prior to the meter bar, Female x Male FireBag® configurations are available in  $\frac{3}{4}$ " – 1½" NPT sizes.

### C — In-Line with the Meter Swivels & Nuts

A FireBag® Meter Connection Kit can easily be installed on new or existing meter installations by utilizing a FireBag® fitting in-line with the inlet swivel of the meter and accompanied by a BLANK companion fitting installed with the outlet swivel, keeping the meter balanced and level. Sizes include a  $\frac{1}{2}$ " x  $\frac{3}{4}$ " reducing kit,  $\frac{3}{4}$ ", and 1" NPT Male x Female configurations.



## Multi-Meter Gas Manifold Metering Applications

Natural gas and propane utilities now are able to add thermal shutoff protection to multi-meter installations at residential and commercial buildings, adding a level of fire safety previously unattainable. Various FireBag® configurations are available for multi-meter gas manifolds, where each residence or business has its own gas meter. The FireBag® configuration and sizes are available to utilities to meet the following installation options.

### A — In-line with the Manifold

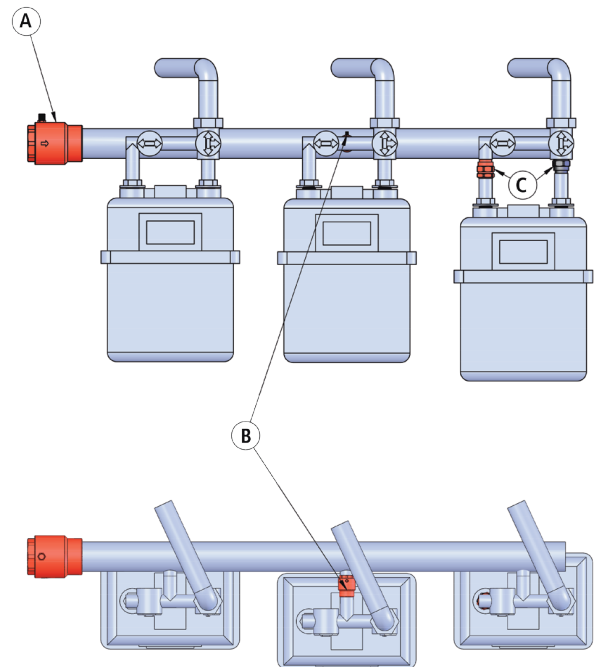
FireBag® thermal shutoffs can be installed "prior-to" or "coupled-with" a multi-meter manifold to provide protection to multiple meters using just one device. Sizes include 1¼", 1½" and 2" in Female x Female configurations.

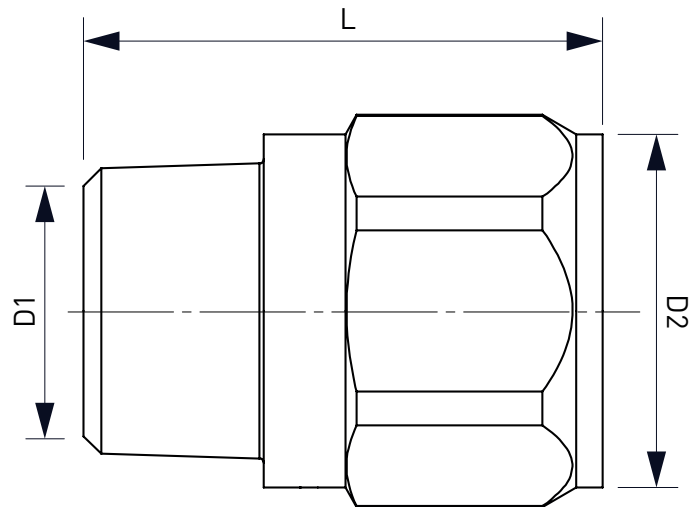
### B — In-line with the Manifold Nipples to the Meter

Individual FireBag® installations place the thermal activated shutoff fittings between the manifold nipple and inlet to the meter bar. Sizes include 1", 1¼" and 1½" NPT Female x Male configurations.

### C — In-Line with the Meter Swivels & Nuts

A FireBag® Meter Connection Kit can easily be installed on new or existing meter installations by utilizing a FireBag® fitting in-line with the inlet swivel of the meter and accompanied by a BLANK companion fitting installed with the outlet swivel, keeping the meter balanced and level. Sizes include a  $\frac{1}{2}$ " x  $\frac{3}{4}$ " reducing kit,  $\frac{3}{4}$ ", and 1" NPT Male x Female configurations.








COD.	DN (mm)	D1	D2	L +0.08 (in)	SW (in)	FLOW RATE ±5% (CFH)	EQUIVALENT LENGTH (ft)	KV	CV
<b>FBAS15003 **</b>	15	1/2" - 14 NPT	3/4" - 14 NPT	2.87	1.06	<b>267.7</b>	<b>8.3</b>	<b>7.6</b>	<b>8.9</b>
<b>FBAS20002</b>	20	3/4" - 14 NPT	3/4" - 14 NPT	1.98	1.26	<b>206.1</b>	<b>13.4</b>	<b>5.8</b>	<b>6.8</b>
<b>FBAS25002</b>	25	1" - 11.5 NPT	1" - 11.5 NPT	2.34	1.61	<b>317.5</b>	<b>20.0</b>	<b>9.0</b>	<b>10.5</b>

Body: **Steel**  
Surface finishing: **Zinc Plated**


**BODY MARKING:**


**FIREBAG 100PSI - 1700°F**


**19:XX-XX**

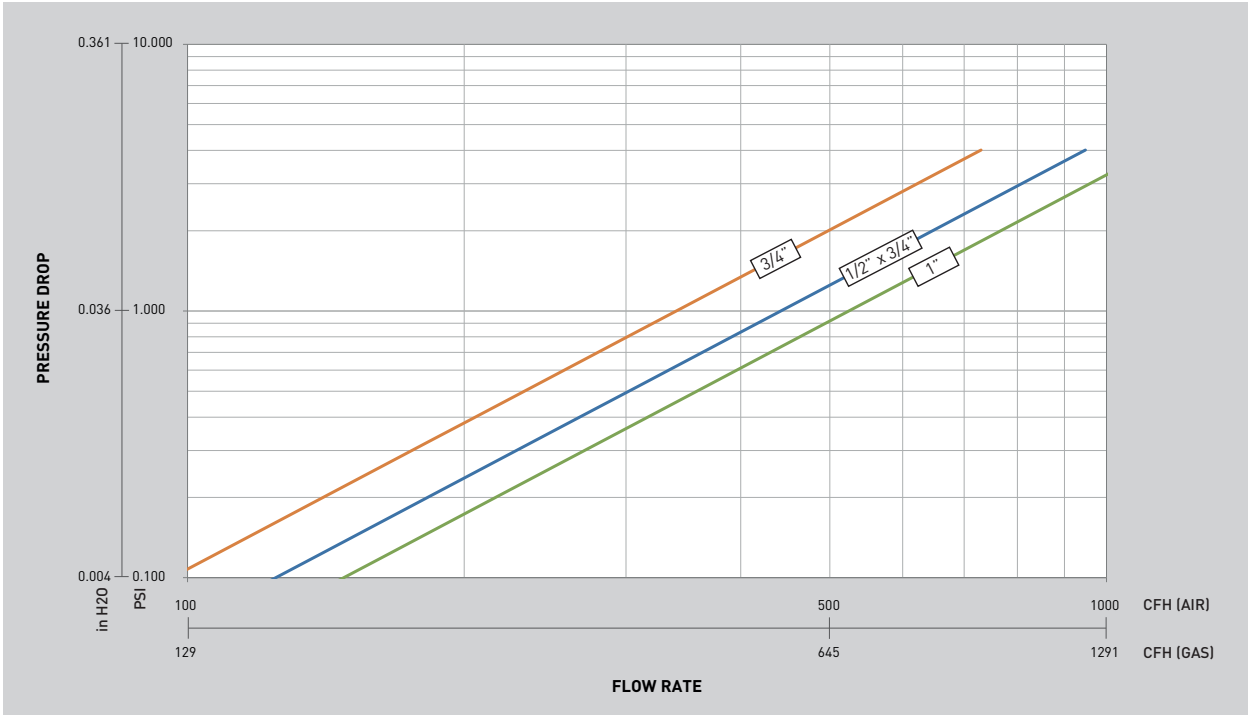
**19:** Year  
**XX:** Batch reference  
**XX:** Internal check code

**TECHNICAL SPECIFICATIONS**

reference standard valve:	<b>DIN 3586</b>
working pressure:	<b>100 PSI</b>
working temperature:	<b>-4°F +140°F</b>
heat resistance FIREBAG®:	<b>HTB 1700 °F x 60' max lakage 30 l/h</b>
intervention temp. FIREBAG®:	<b>212°F - 5K</b>
connections:	<b>Threaded NPT (inlet MALE connection - outlet FEMALE connection)</b>
fields of use:	<b>for all types of Gas as specified in EN 437 and DVGW G260/1 (methane, butane, propane).</b>


	Designation	Code	Rev.	Date
	<b>Firebag® Series - M/F NPT 1/2" - 3/4" - 1"</b>	<b>MCT1029</b>	<b>1.00</b>	16/09/2019

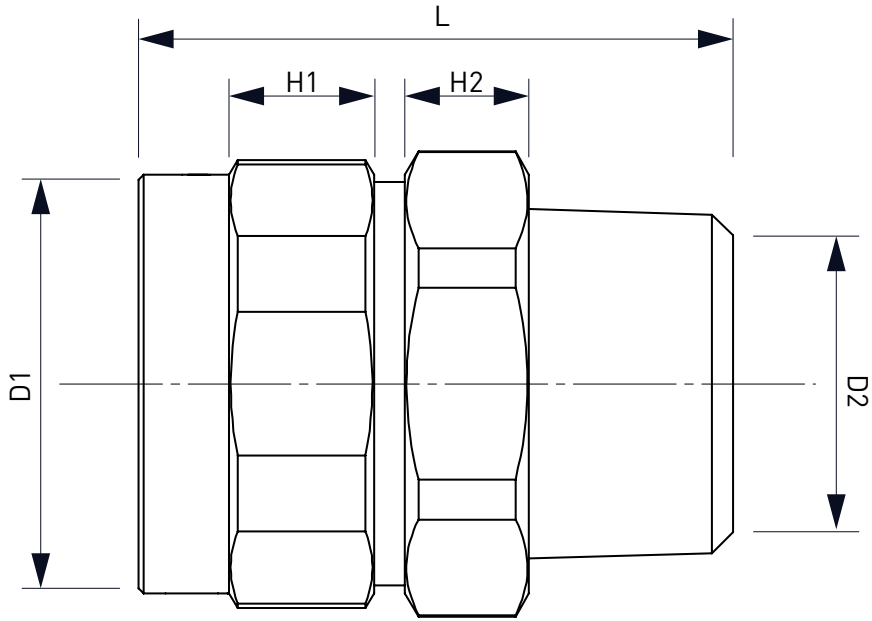
This drawing to the law can not be published or reproduced without our permission © 2012 TECO s.r.l.



\* Flow rate/pressure drop diagrams obtained with 10.04 in H2O (0.36 PSI) inlet pressure.

\*\* Equivalent length estimate on output pipe of 3/4" in size.




	Designation	Code	Rev.	Date
	<b>Firebag® Series - M/F NPT 1/2" - 3/4" - 1"</b>	<b>MCT1029</b>	<b>1.00</b>	16/09/2019



COD.	DN (mm)	D1/D2	L +0.08 (in)	H1 (in)	H2 (in)	SW	FLOW RATE ±5% (CFH)	EQUIVALENT LENGTH (ft)	KV	CV
FBAS20001	20	3/4" - 14 NPT	1.93	0.47	0.31	1.26	201.6	14.0	5.7	6.7
FBAS25001	25	1" - 11.5 NPT	2.00	0.55	0.47	1.61	314.3	20.4	8.9	10.4

Body: Steel  
Surface finishing: Zinc Plated


**BODY MARKING:**


**FIREBAG 100PSI - 1700°F**


**19:XX**

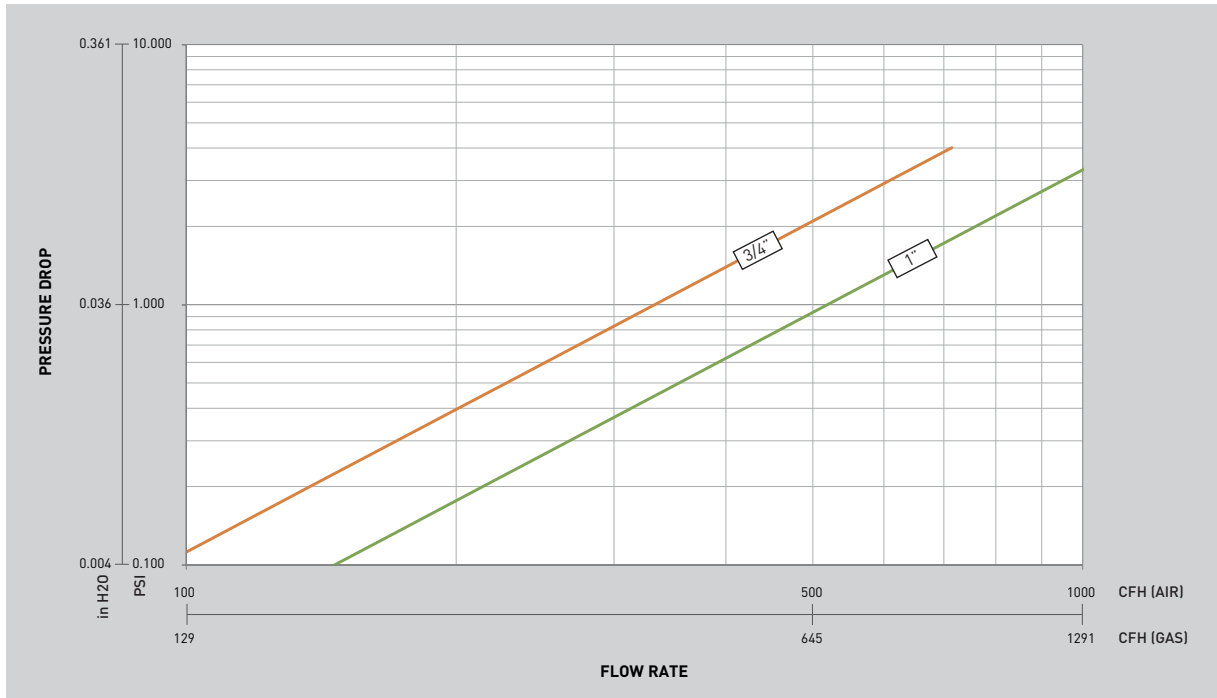
19: Year  
 □□: Batch reference  
 XX: Internal check code

**TECHNICAL SPECIFICATIONS**

reference standard valve:	<b>DIN 3586</b>
working pressure:	<b>100 PSI</b>
working temperature:	<b>-4°F +140°F</b>
heat resistance FIREBAG®:	<b>HTB 1700 °F x 60' max lakage 30 l/h</b>
intervention temp. FIREBAG®:	<b>212°F - 5K</b>
connections:	<b>Threaded NPT (inlet FEMALE connection - outlet MALE connection)</b>
fields of use:	<b>for all types of Gas as specified in EN 437 and DVGW G260/1 (methane, butane, propane).</b>

	Designation	Code	Rev.	Date
	<b>Firebag® Series - F/M NPT 3/4" - 1"</b>	<b>MCT1030</b>	<b>0.00</b>	02/08/2019

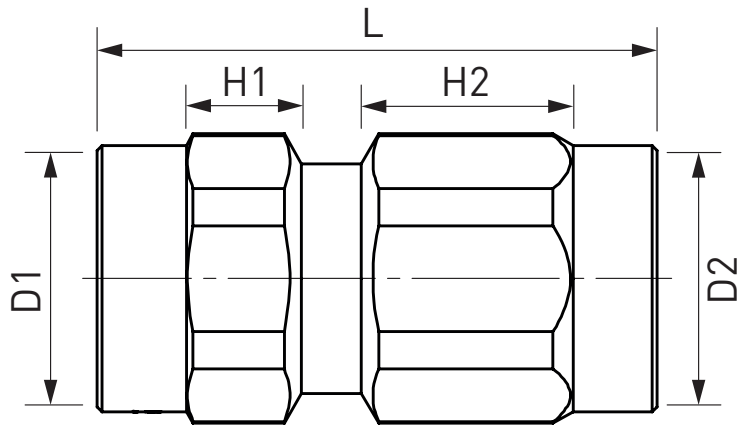
This drawing to the law can not be published or reproduced without our permission © 2012 TECO s.r.l.



\* Flow rate/pressure drop diagrams obtained with 10.04 in H<sub>2</sub>O (0.36 PSI) inlet pressure.



Designation	Code	Rev.	Date
Firebag® Series - F/M NPT 3/4" - 1"	MCT1030	0.00	02/08/2019



COD.	DN (mm)	D1/D2	L +0.08 (in)	H1 (in)	H2 (in)	SW (in)	FLOW RATE ±5% (CFH)	EQUIVALENT LENGTH (ft)	KV	CV
FBAS15004	15	1/2" - 14 NPT	2.21	0.45	0.83	1.06	112.7	10.6	3.2	3.7
FBAS20003	20	3/4" - 14 NPT	2.28	0.39	0.94	1.26	201.6	14.0	5.7	6.7
FBAS25003	25	1" - 11.5 NPT	2.60	0.47	0.98	1.61	314.3	20.4	8.9	10.4


Body: Steel  
Surface finishing: Zinc Plated

**BODY MARKING:**

 FIREBAG 100PSI - 1700°F   19:XX  
 19: Year  
 □□: Batch reference  
 XX: Internal check code

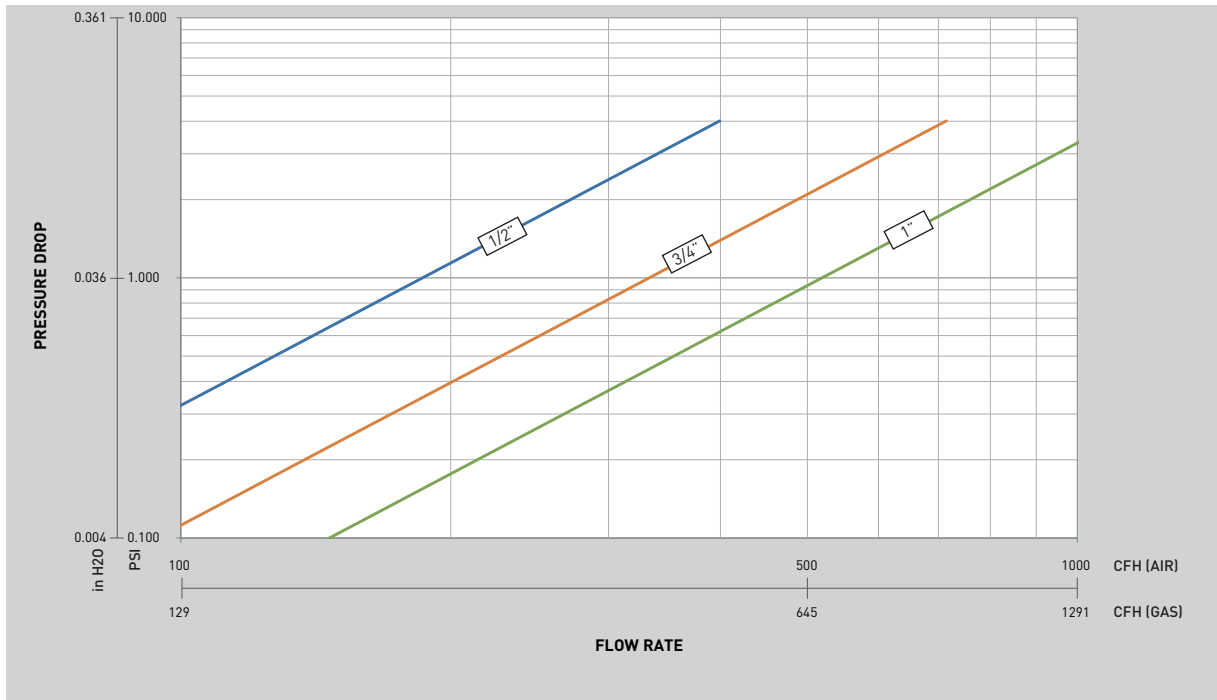
**TECHNICAL SPECIFICATIONS**

reference standard valve:	DIN 3586
working pressure:	100 PSI
working temperature:	-4°F +140°F
heat resistance FIREBAG®:	HTB 1700 °F x 60' max lakage 30 l/h
intervention temp. FIREBAG®:	212°F - 5K
connections:	Threaded NPT (inlet FEMALE connection - outlet FEMALE connection)
fields of use:	for all types of Gas as specified in EN 437 and DVGW G260/1 (methane, butane, propane).

	Designation	Code	Rev.	Date
	Firebag® Series - F/F NPT 1/2" - 3/4" - 1"	MCT1016	1.00	02/08/2019

This drawing to the law can not be published or reproduced without our permission © 2012 TECO s.r.l.

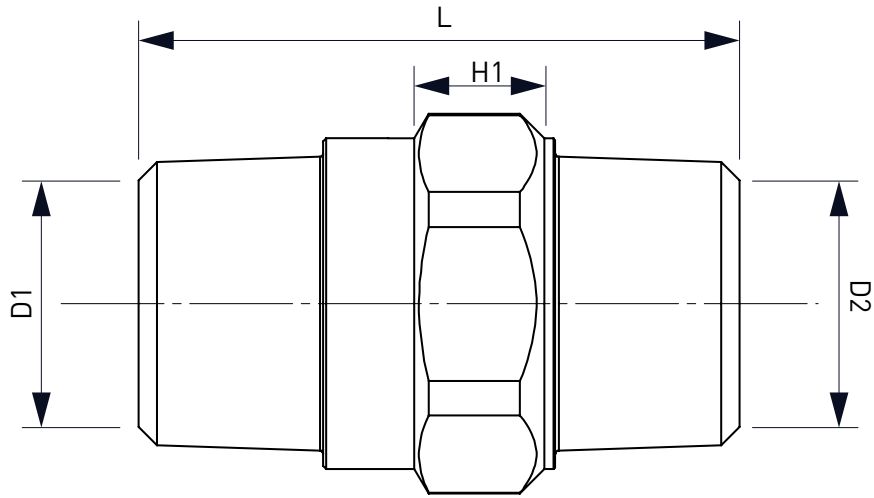




\* Flow rate/pressure drop diagrams obtained with 10.04 in H<sub>2</sub>O (0.36 PSI) inlet pressure.



Designation	Code	Rev.	Date
Firebag® Series - F/F NPT 1/2" - 3/4" - 1"	MCT1016	1.00	02/08/2019



COD.	DN (mm)	D1/D2	L +0.08 (in)	H1 (in)	SW (in)	FLOW RATE ±5% (CFH)	EQUIVALENT LENGTH (ft)	KV	CV
FBAS20004	20	3/4" - 14 NPT	2.18	0.47	1.26	197.8	14.5	5.6	6.6
FBAS25004	25	1" - 11.5 NPT	2.20	0.39	1.61	309.0	21.0	8.8	10.2

Body: Steel  
Surface finishing: Zinc Plated

**BODY MARKING:**



**FIREBAG 100PSI - 1700°F**


**19:XX**

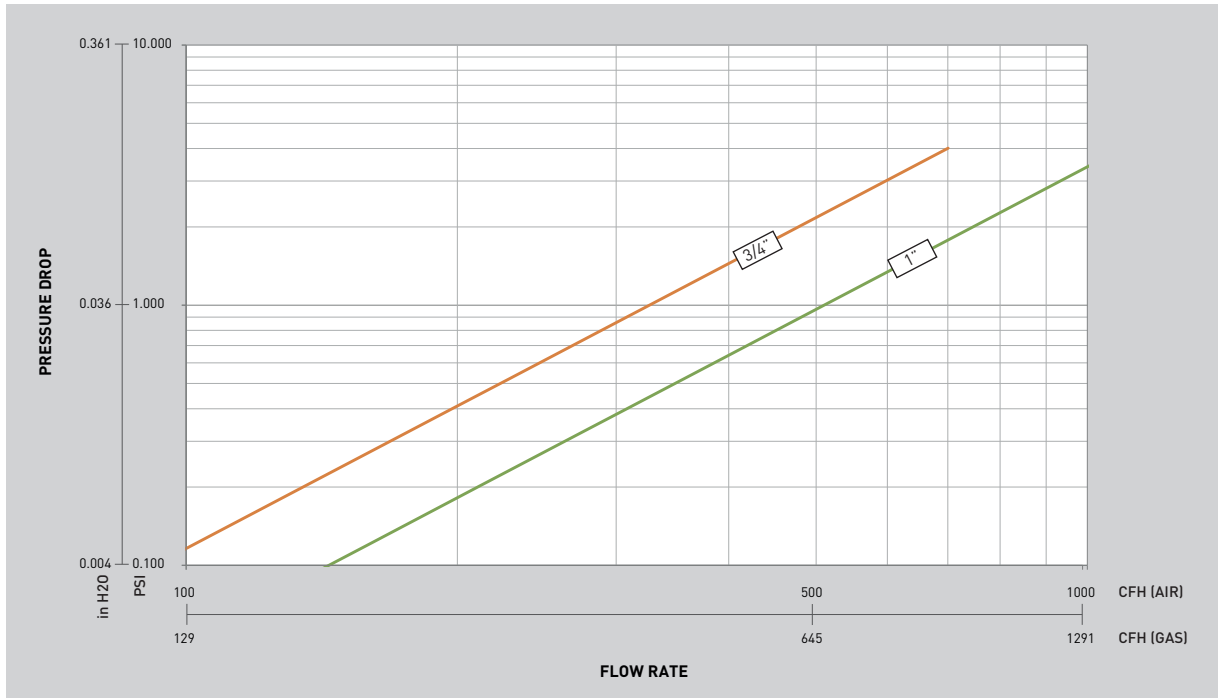
19: Year  
 □□: Batch reference  
 XX: Internal check code

**TECHNICAL SPECIFICATIONS**

reference standard valve:	<b>DIN 3586</b>
working pressure:	<b>100 PSI</b>
working temperature:	<b>-4°F +140°F</b>
heat resistance FIREBAG®:	<b>HTB 1700 °F x 60' max lakage 30 l/h</b>
intervention temp. FIREBAG®:	<b>212°F - 5K</b>
connections:	<b>Threaded NPT (inlet MALE connection - outlet MALE connection)</b>
fields of use:	<b>for all types of Gas as specified in EN 437 and DVGW G260/1 (methane, butane, propane).</b>

	Designation	Code	Rev.	Date
	<b>Firebag® Series - M/M NPT 3/4" - 1"</b>	<b>MCT1031</b>	<b>0.00</b>	02/08/2019

This drawing to the law can not be published or reproduced without our permission © 2012 TECO s.r.l.

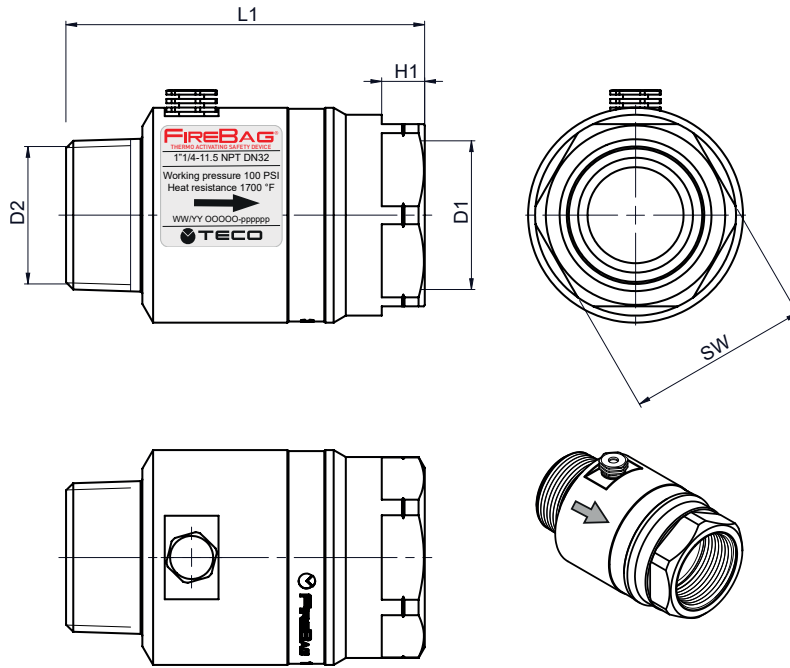


\* Flow rate/pressure drop diagrams obtained with 10.04 in H2O (0.36 PSI) inlet pressure.



Designation	Code	Rev.	Date
Firebag® Series - M/M NPT 3/4" - 1"	MCT1031	0.00	02/08/2019

This drawing to the law can not be published or reproduced without our permission © 2012 TECO s.r.l.



COD.	DN	D1/D2	L1 (in) +0.08	H1 (in)	SW	FLOW RATE ±5%	EQUIVALENT LENGTH (ft)	KV	CV
FBAS32001	32	1"1/4-11.5 NPT	3.94	0.55	2"	777 CFH	14.40	22	25.7
FBAS40001	40	1"1/2-11.5 NPT	4.13	0.59	2"1/3	1130 CFH	15.21	32	42.7
FBAS50001	50	2"-11.5 NPT	4.37	0.71	2"3/4	1907 CFH	19.55	54	66.7

Body: Steel  
Surface finishing: Zinc Plated

**BODY MARKING:**



**LABEL EXAMPLE:**



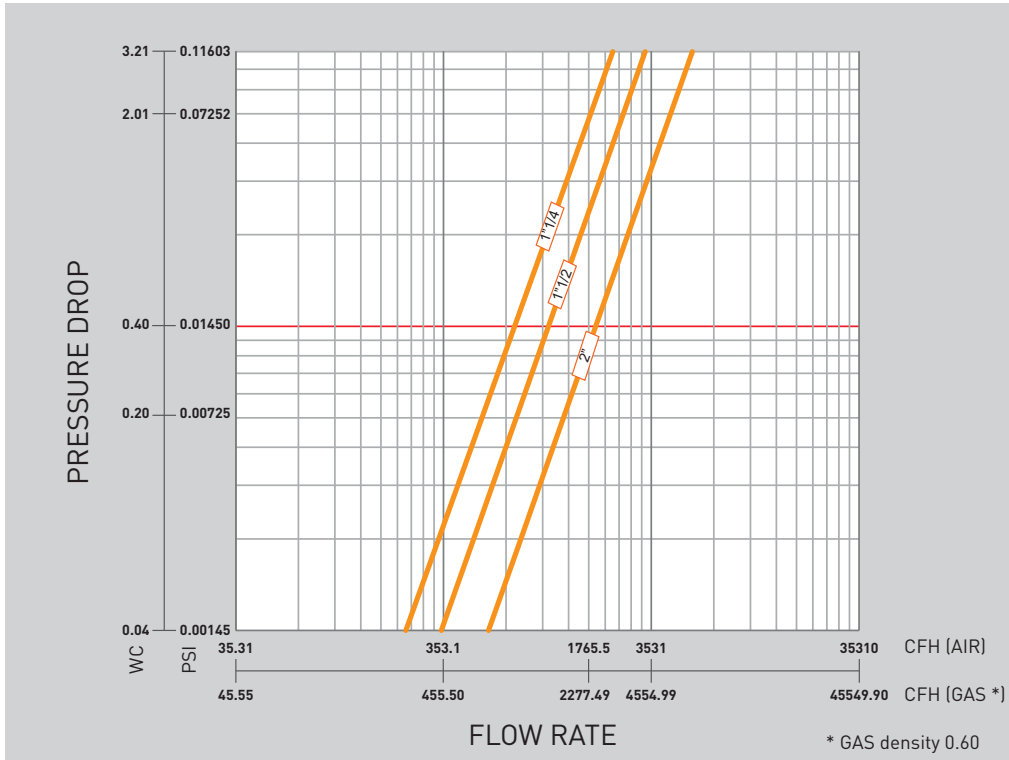
Traceability reference:  
**WW/YY:** production week/year  
**OOOOO:** order reference  
**pppppp:** progressive number identifying the piece


**TECHNICAL SPECIFICATIONS**

reference standard valve:	<b>DIN 3586</b>
working pressure:	<b>100 PSI</b>
working temperature:	<b>-4 °F +140 °F</b>
heat resistance FIREBAG®:	<b>HTB 1700 °F x60' max lakage 30 l/h</b>
intervention temp. FIREBAG®:	<b>212 °F - 5K</b>
connections:	<b>Threaded NPT</b>
fields of use:	<b>for all types of Gas as specified in EN 437 and DVGW G260/1 (methane, butane, propane).</b>

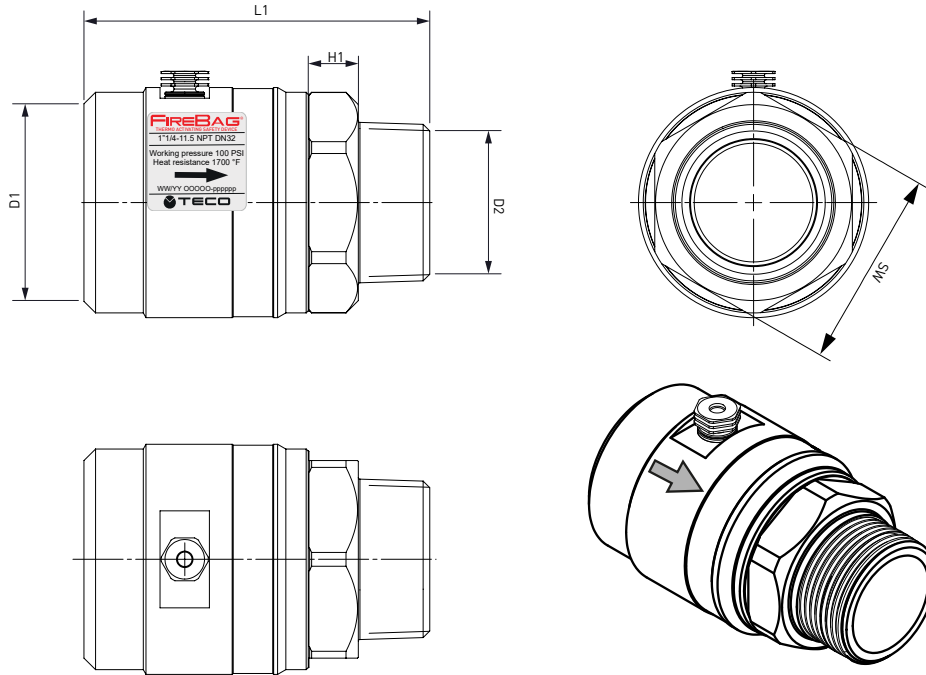
	Designation	Code	Rev.	Date
	<b>Firebag® Series - M/F NPT 1"1/4 - 1"1/2 - 2"</b>	<b>MCT1025</b>	<b>1.02</b>	20/06/2019

This drawing to the law can not be published or reproduced without our permission © 2012 TECO s.r.l.



	Designation	Code	Rev.	Date
	Firebag® Series - M/F NPT 1 1/4" - 1 1/2" - 2"	MCT1025	1.02	20/06/2019

This drawing to the law can not be published or reproduced without our permission © 2012 TECO s.r.l.



COD.	DN	D1/D2	L1 (in) +0.08	H1 (in)	SW	FLOW RATE ±5%	EQUIVALENT LENGTH (ft)	KV	CV
FBAS32003	32	1"1/4-11.5 NPT	4.13	0.55	2"	777 CFH	14.40	22	25.7
FBAS40003	40	1"1/2-11.5 NPT	4.13	0.59	2"1/3	1130 CFH	15.21	32	42.7
FBAS50003	50	2"-11.5 NPT	4.72	0.71	2"3/4	1907 CFH	19.55	54	66.7

Body: Steel  
Surface finishing: Zinc Plated

**BODY MARKING:**



**LABEL EXAMPLE:**



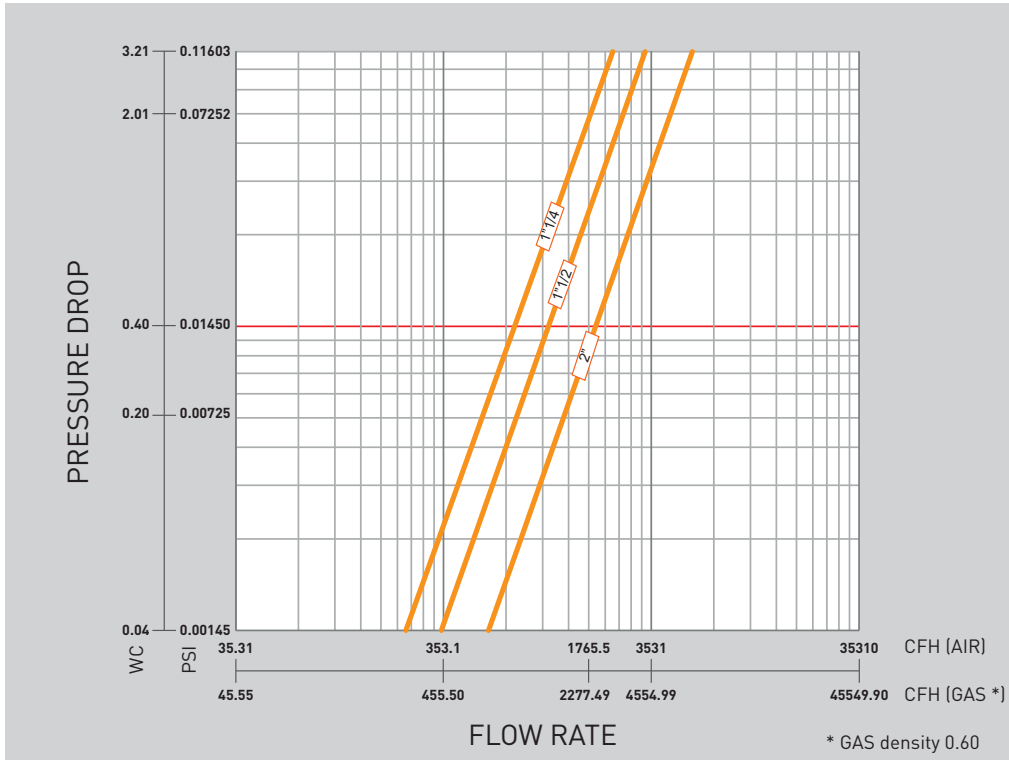
Traceability reference:  
**WW/YY:** production week/year  
**OOOO:** order reference  
**ppppp:** progressive number identifying the piece


**TECHNICAL SPECIFICATIONS**

reference standard valve:	<b>DIN 3586</b>
working pressure:	<b>100 PSI</b>
working temperature:	<b>-4 °F +140 °F</b>
heat resistance FIREBAG®:	<b>HTB 1700 °F x60' max lakage 30 l/h</b>
intervention temp. FIREBAG®:	<b>212 °F - 5K</b>
connections:	<b>Threaded NPT</b>
fields of use:	<b>for all types of Gas as specified in EN 437 and DVGW G260/1 (methane, butane, propane).</b>

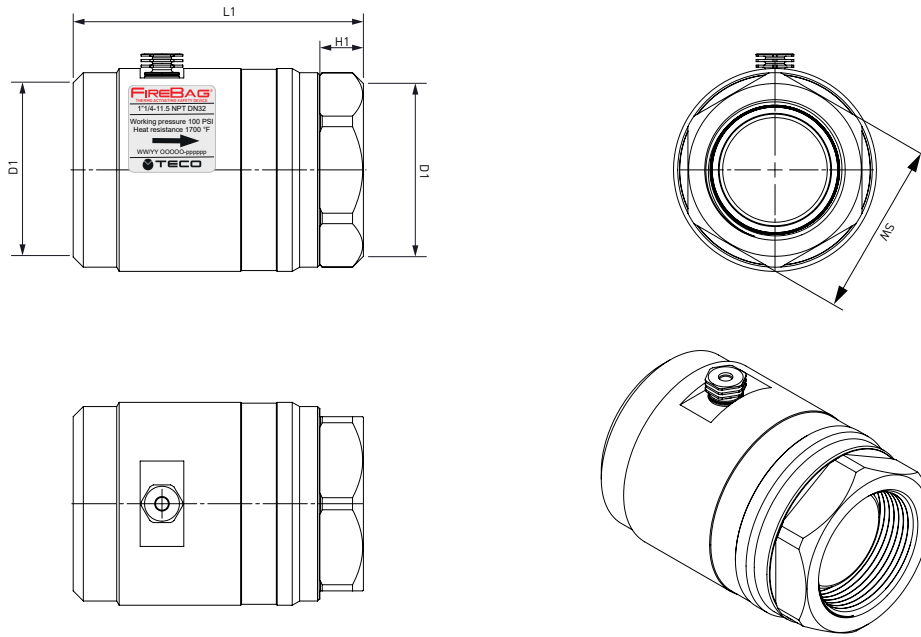
	Designation	Code	Rev.	Date
	<b>Firebag® Series - F/M NPT 1"1/4 - 1"1/2 - 2"</b>	<b>MCT1027</b>	<b>0.00</b>	20/06/2019

This drawing to the law can not be published or reproduced without our permission © 2012 TECO s.r.l.



	Designation	Code	Rev.	Date
	Firebag® Series - F/M NPT 1 1/4" - 1 1/2" - 2"	MCT1027	0.00	20/06/2019

This drawing to the law can not be published or reproduced without our permission © 2012 TECO s.r.l.



COD.	DN	D1/D2	L1 (in) +0.08	H1 (in)	SW	FLOW RATE ±5%	EQUIVALENT LENGTH (ft)	KV	CV
FBAS32004	32	1"1/4-11.5 NPT	3.86	0.55	2"	777 CFH	14.40	22	25.7
FBAS40004	40	1"1/2-11.5 NPT	3.94	0.59	2"1/3	1130 CFH	15.21	32	42.7
FBAS50004	50	2"-11.5 NPT	4.41	0.71	2"3/4	1907 CFH	19.55	54	66.7

Body: Steel  
Surface finishing: Zinc Plated

**BODY MARKING:**



**LABEL EXAMPLE:**



Traceability reference:  
**WW/YY:** production week/year  
**OOOO:** order reference  
**ppppp:** progressive number identifying the piece

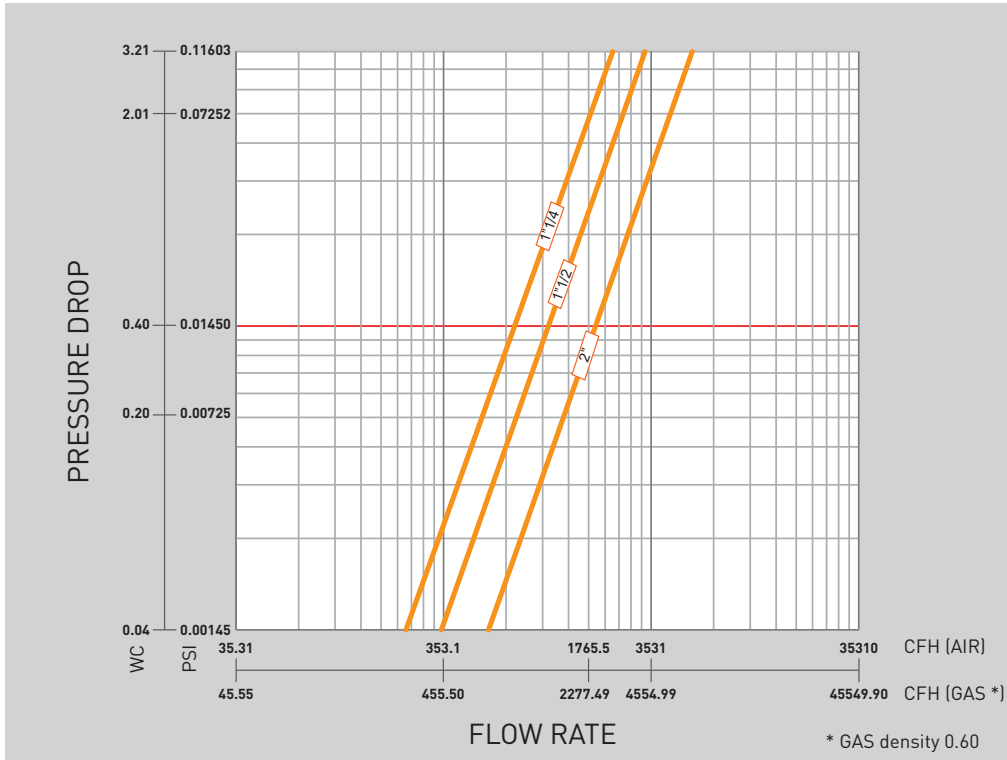
**TECHNICAL SPECIFICATIONS**

reference standard valve:	<b>DIN 3586</b>
working pressure:	<b>100 PSI</b>
working temperature:	<b>-4 °F +140 °F</b>
heat resistance FIREBAG®:	<b>HTB 1700 °F x60' max lakage 30 l/h</b>
intervention temp. FIREBAG®:	<b>212 °F - 5K</b>
connections:	<b>Threaded NPT</b>
fields of use:	<b>for all types of Gas as specified in EN 437 and DVGW G260/1 (methane, butane, propane).</b>

	Designation	Code	Rev.	Date
	<b>Firebag® Series - F/F NPT 1"1/4 - 1"1/2 - 2"</b>	<b>MCT1028</b>	<b>0.00</b>	20/06/2019

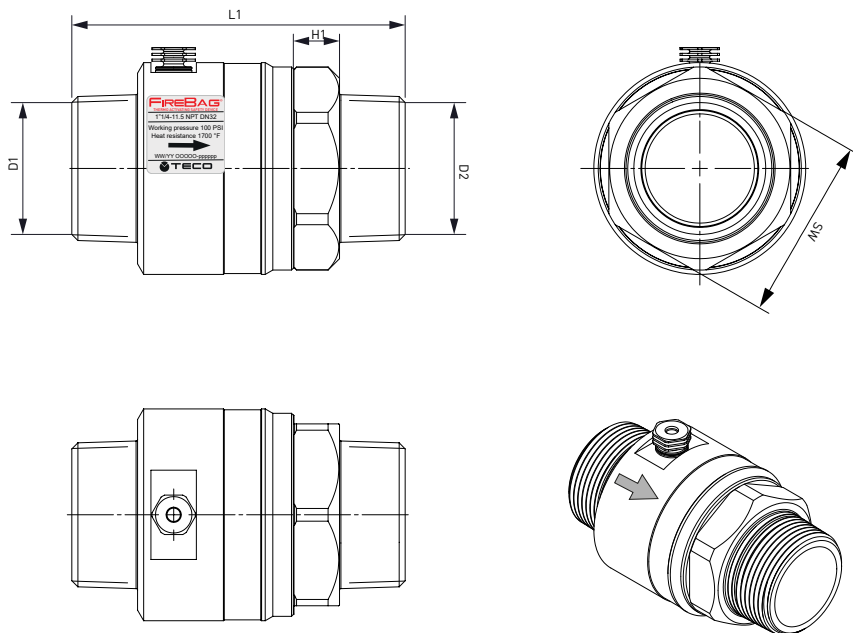
This drawing to the law can not be published or reproduced without our permission © 2012 TECO s.r.l.





	Designation	Code	Rev.	Date
	Firebag® Series - F/F NPT 1 1/4 - 1 1/2 - 2"	MCT1028	0.00	20/06/2019

This drawing to the law can not be published or reproduced without our permission © 2012 TECO s.r.l.



COD.	DN	D1/D2	L1 (in) +0.08	H1 (in)	SW	FLOW RATE ±5%	EQUIVALENT LENGTH (ft)	KV	CV
FBAS32002	32	1"1/4-11.5 NPT	4.13	0.55	2"	777 CFH	14.40	22	25.7
FBAS40002	40	1"1/2-11.5 NPT	4.33	0.59	2"1/3	1130 CFH	15.21	32	42.7
FBAS50002	50	2"-11.5 NPT	4.72	0.71	2"3/4	1907 CFH	19.55	54	66.7

Body: Steel  
Surface finishing: Zinc Plated

**BODY MARKING:**



**LABEL EXAMPLE:**



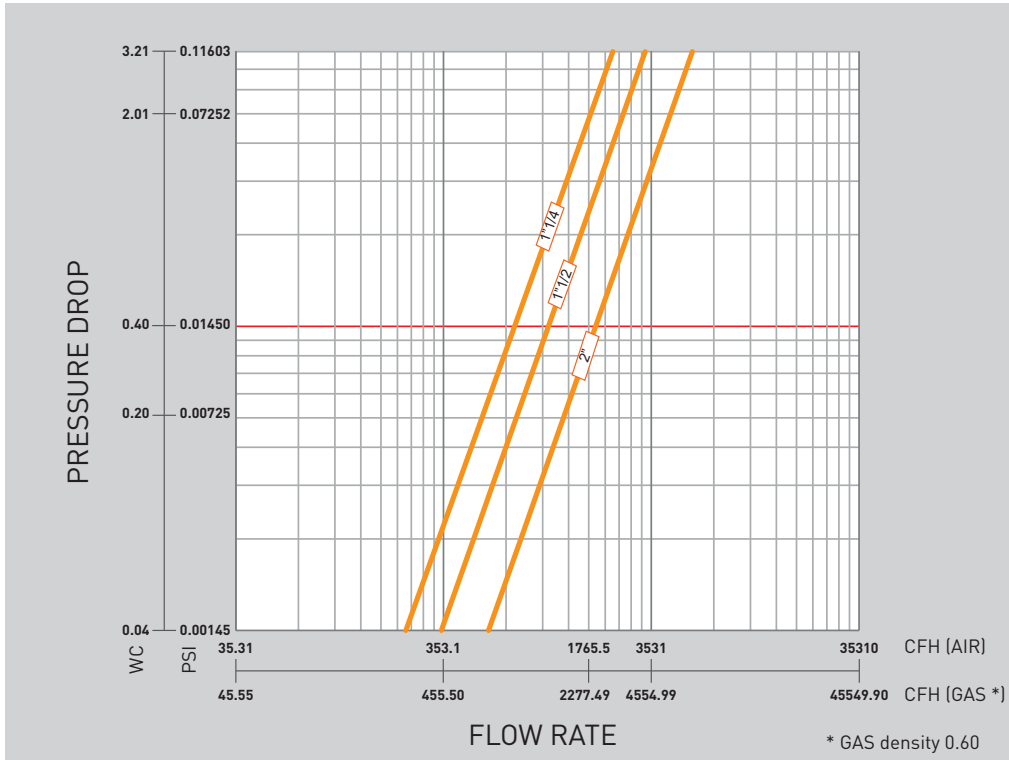
Traceability reference:  
**WW/YY:** production week/year  
**OOOOO:** order reference  
**ppppp:** progressive number identifying the piece


**TECHNICAL SPECIFICATIONS**

reference standard valve:	<b>DIN 3586</b>
working pressure:	<b>100 PSI</b>
working temperature:	<b>-4 °F +140 °F</b>
heat resistance FIREBAG®:	<b>HTB 1700 °F x60' max lakage 30 l/h</b>
intervention temp. FIREBAG®:	<b>212 °F - 5K</b>
connections:	<b>Threaded NPT</b>
fields of use:	<b>for all types of Gas as specified in EN 437 and DVGW G260/1 (methane, butane, propane).</b>

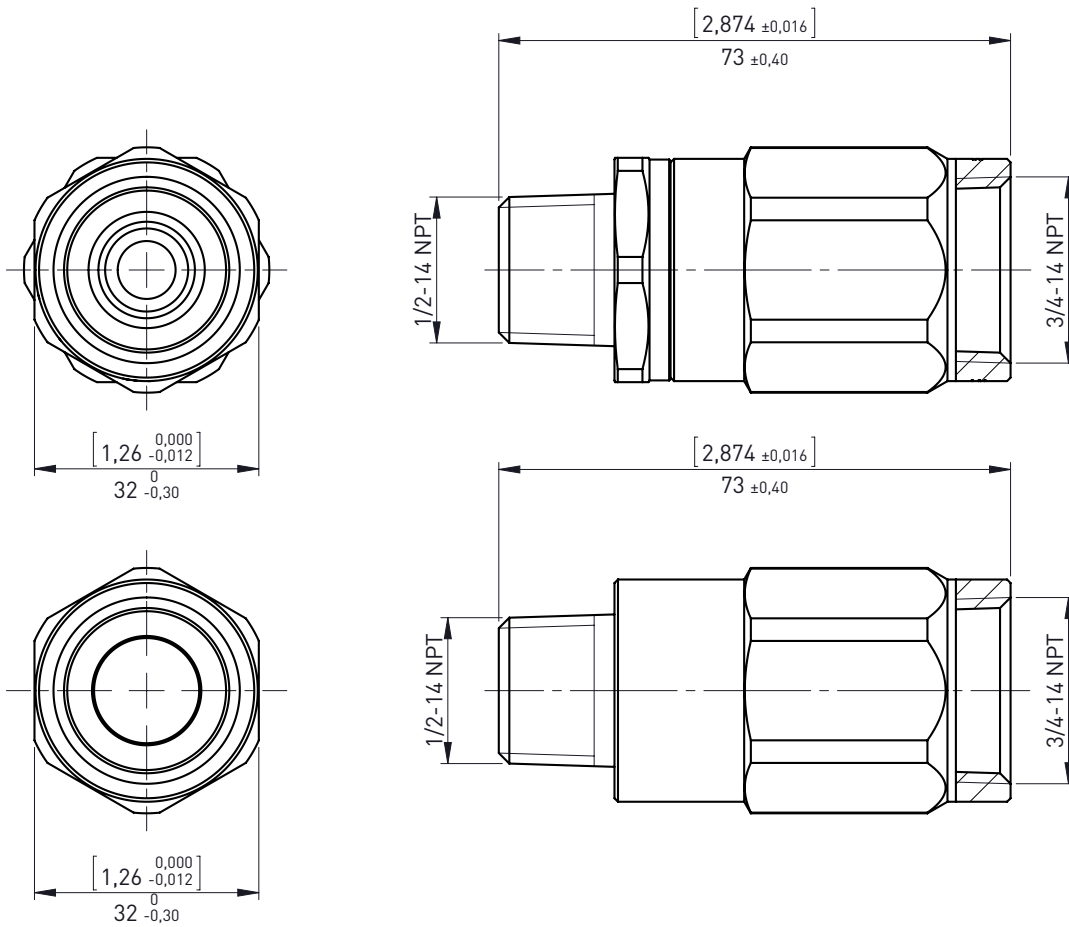
	Designation	Code	Rev.	Date
	<b>Firebag® Series - M/M NPT 1"1/4 - 1"1/2 - 2"</b>	<b>MCT1026</b>	<b>0.00</b>	20/06/2019

This drawing to the law can not be published or reproduced without our permission © 2012 TECO s.r.l.



	Designation	Code	Rev.	Date
	Firebag® Series - M/M NPT 1 1/4 - 1 1/2 - 2"	MCT1026	0.00	20/06/2019

This drawing to the law can not be published or reproduced without our permission © 2012 TECO s.r.l.



Denominazione / Description

**FIREBAG KIT DN20 MF1/2x3/4 NPT**

FIREBAG thermo safety Kit DN20 M/F NPT 1/2x 3/4

Formato  
Sheet size  
A4



Tolleranze generale secondo UNI EN 22768-cl LQA applicati spec. SCQ003  
General tolerance in accordance to UNI EN 22768-cl LQA according to SCQ003

Materiale / Material

**Vedi distinta tecnica / See technical bill**

Scala  
Scale  
1:1

Peso / Weight



Disegnato  
Created  
Neonati Diego  
14/04/2017

Approvato  
Approved  
NeonatiD  
14/04/2017

N° Disegno / Drawing n°

Cod. Articolo / Code  
**OEAS0001**

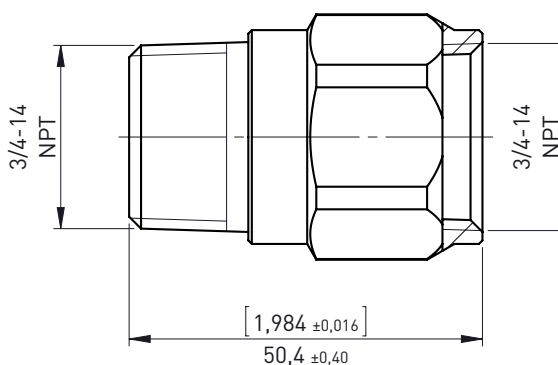
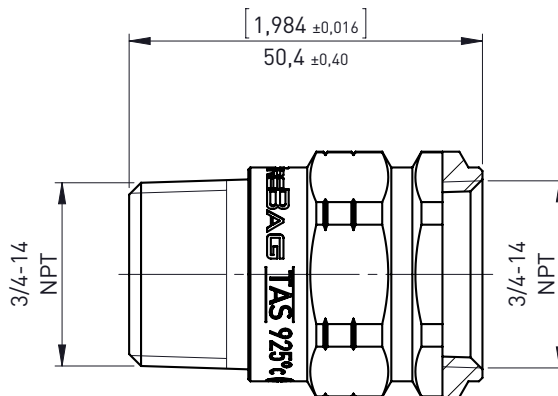
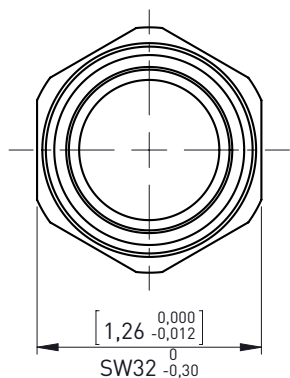
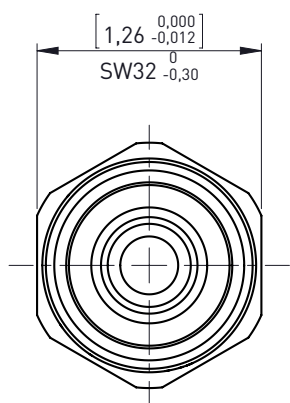
Stato  
**A**

Mod. N°

Rev.  
**0.01**

Il presente disegno a termine di legge non può essere riprodotto o reso pubblico senza la nostra autorizzazione / According to the law this drawing cannot be duplicated duplicated without authorization

Mod.89a  
Rev. 00



Denominazione / Description

**FIREBAG KIT DN20 MF3/4x3/4 NPT**

FIREBAG thermo safety Kit DN20 M/F NPT 3/4x 3/4

Formato  
Sheet size  
A4



Tolleranze generale secondo UNI EN 22768-cl LQA applicati spec. SC0003  
General tolerance in accordance to UNI EN 22768-cl LQA according to SC0003

Materiale / Material

**Vedi distinta tecnica / See technical bill**

Scala  
Scale  
1:1

Peso / Weight  
**304.49 gr**



Disegnato  
Created  
Neonati Diego  
14/04/2017

Approvato  
Approved  
NeonatiD  
14/04/2017

N° Disegno / Drawing n°

Stato  
**A**

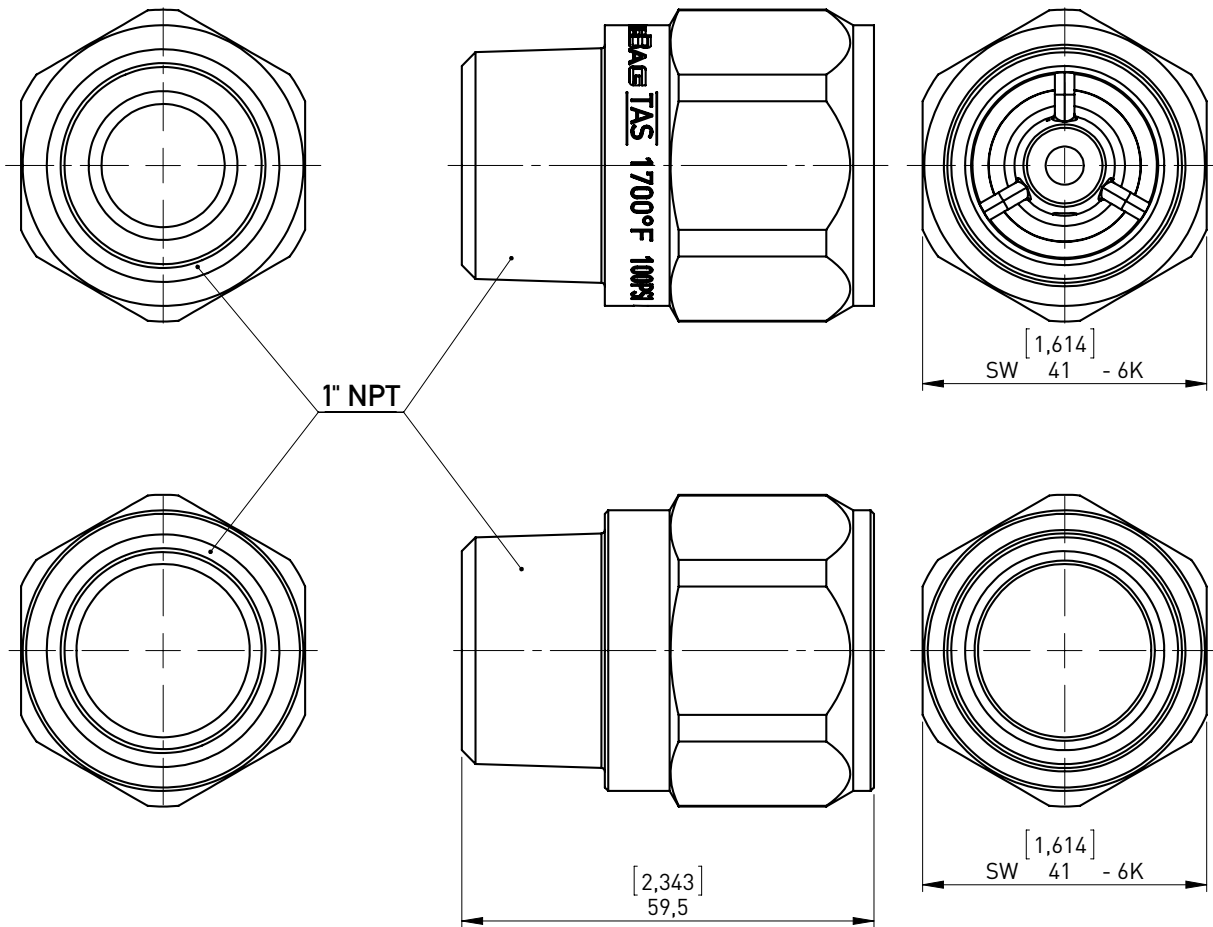
Mod. N°

Cod. Articolo / Code  
**OEAS0002**

Rev.  
**0.02**

Il presente disegno a termine di legge non può essere riprodotto o reso pubblico senza la nostra autorizzazione / According to the law this drawing cannot be duplicated duplicated without authorization

Mod.89a  
Rev.00



Denominazione / Description <b>Kit racc.Firebag DN25 M/F1"NPT</b> Firebag fitt.KIT DN25 M/F1"NPT		Formato Sheet size A4	General tolerance in accordance to UNI EN 22768-cl LQA according to SCQ003	Materiale / Material <b>Vedi distinta tecnica / See technical bill</b>	Scala Scale 1:1	Peso / Weight <b>612.23 gr</b>
 www.tecosrl.it - info.tecnico@tecosrl.it	Disegnato Created Favalli Luciano 11/01/2019	N° Disegno / Drawing n°		Stato <b>A</b>	PRATICA GNUT <b>18079</b>	
	Approvato Approved Favalli Luciano 11/01/2019	Cod. Articolo / Code <b>OEAS0006</b>		Rev. <b>0.00</b>		Mod.89g Rev. 02

Il presente disegno a termine di legge non può essere riprodotto o reso pubblico senza la nostra autorizzazione / According to the law this drawing cannot be duplicated duplicated without authorization

# FireBag® CAD Drawings

(Available upon request)



1 IN NPT F-F  
FBAS25003



1 IN NPT F-M  
FBAS25001



1 IN NPT M-F  
FBAS25002



1 IN NPT M-M  
FBAS25004



1/2 IN NPT F-F  
FBAS15004



1/2 IN NPT M-F



1/2 IN NPT F-F  
FBAS40004



1/2 IN NPT F-M  
FBAS40003



1/2 IN NPT M-F  
FBAS40001



1/2 IN NPT M-M  
FBAS40002



1/4 NPT F-M  
FBAS32003



1/4 IN NPT F-F  
FBAS32004



1/4 IN NPT M-F  
FBAS32001



1/4 IN NPT M-M  
FBAS32002



2 IN NPT F-F  
FBAS50004



2 IN DN50 F-M  
FBAS50003



2 IN NPT M-F  
FBAS50001



2 IN NPT M-M  
FBAS50002



3/4 IN NPT M-M  
FBAS20004



3/4 IN NPT F-M  
FBAS20001



3/4 IN NPT M-F  
FBAS20002



3/4 IN NPT F-F  
FBAS20003