

Flex-I-Pig Heavy Duty

The Flex-I-Pig is a solid-cast pig designed with multiple sealing discs and is constructed of high-grade abrasion and chemical resistant polyurethane. The heavy duty style has a wider body for additional strength and support.



Features:

- Polyurethane material extends durability, provides flexibility
- Multiple sealing points
- Hollow core evenly distributes pressure
- Single piece construction

Applications:

- General cleaning
- Product batching
- Chemical cleaning
- Liquids removal

Options:

- Handling cable
- Transmitter cavity
- Bypass holes
- Magnets
- Various durometers

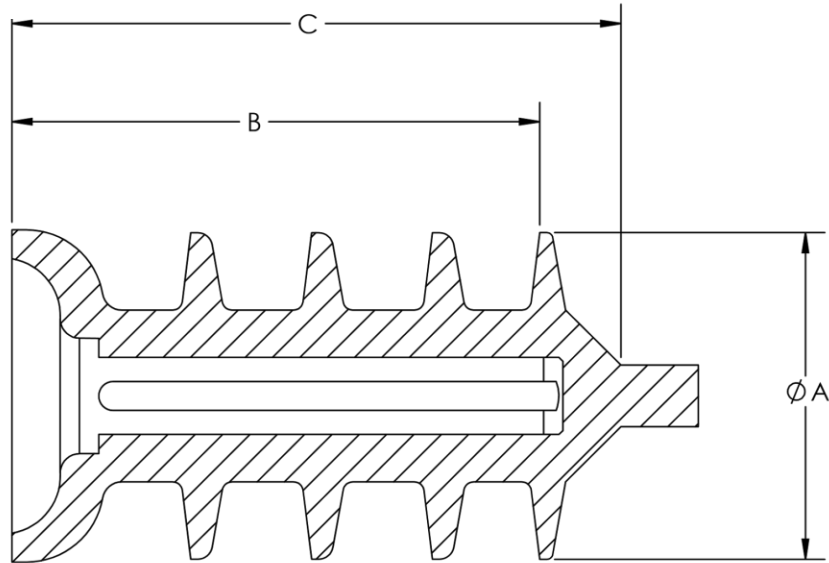
Liberty Sales & Distribution, LLC

2880 Bergey Road, Suite F, Hatfield, PA 19440

Phone: (877) 373-0118 Fax: (888) 850-3787

Email: sales@libertysales.net Web: www.libertysales.net

Flex-I-Pig Heavy Duty



Size	Part No.	# of Discs	OD A	Seal Length B	Length C	Weight (lbs)
2"	UFDPHD02	4	2.13"	4.21"	5.23"	0.5
2.5"	UFDPHD02.5	4	2.5"	4.75"	6.03"	0.75
3"	UFDPHD03	4	3.1"	4.75"	6.5"	1.125
4"	UFDPHD04	4	4.25"	6"	8.12"	2
6"	UFDPHD06	9	6.27"	12.37"	14.75"	7
8"	UFDPHD08	8	8.5"	14.25"	18.43"	16.5
10"	UFDPHD10	8	10.5"	18.25"	23.39"	29
12"	UFDPHD12	6	12.5"	27.75"	33.75"	52
16"	UFDPHD16	8	16"	23.51"	31.51"	106
18"	UFDPHD18	7	18"	28.75"	37.75"	114
20"	UFDPHD20	7	20"	32.75"	41.75"	206
22"	UFDPHD22	4	21.63"	24.5"	34"	120
24"	UFDPHD24	5	24"	39"	51"	275
26"	UFDPHD26	7	25.56"	28.25"	38.5"	211
28"	UFDPHD28	7	28"	45.87"	60"	416
30"	UFDPHD30	6	30"	42"	57.64"	447

Liberty Sales & Distribution, LLC

2880 Bergey Road, Suite F, Hatfield, PA 19440

Phone: (877) 373-0118 Fax: (888) 850-3787

Email: sales@libertysales.net Web: www.libertysales.net